



Resistive/Reactive

Provides kVA/kVAR real world loads
Adjustable power factor

Industry Leading Life Span

Durable 20+ year unit reliability
Built for transport

PC Operation & Data Logging

Print, graph and download
professional diagnostic reports

Parallel Multiple Units

Manage up to 10 units/50 MW
with one controller

Loadbank Specifications

Capacity

3.3 MVA/2640kW @ 480 volts, 60 Hz,
3-phase, 0.8 PF units are linkable for
larger loads

Design Voltage

480 volts, 60 Hz; may be used in lower
voltages and 50 Hz at reduced capacity

Minimum Load Steps

1kW, 1KVAR

Control System

Hand-held, PC, or manual
control systems

Ambient Parameters

Maintains maximum capacity in
ambient conditions up to 120° F

Fan and Control Power

Via main bus or 70 amp, 480 volt,
3-phase external source

Air Flow

Side intake,
top exhaust

Enclosures

10' ISO weatherproof
container

Dimensions

Length: 117.75 inches
Width: 96 inches
Height: 102 inches
Weight: 22,050 lbs

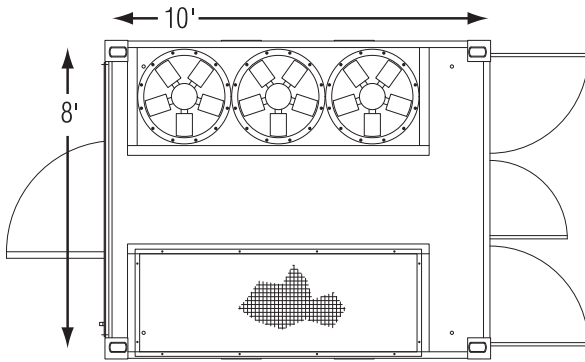
Cal Power - Tijuana

Pacífico 8691,
Parque industrial pacífico IV
22644, Tijuana, B.C.
+ 52 664 681 6234

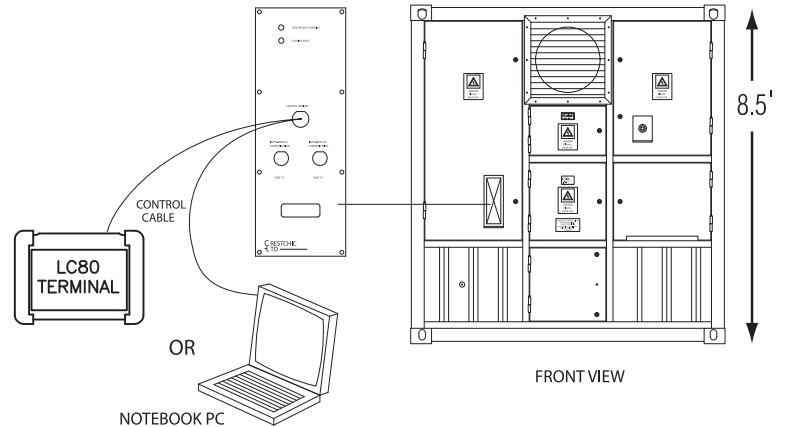
Cal Power - Querétaro

Antiguo camino al carmen
76246, El Marques, Qro.
+52 442 213 1500

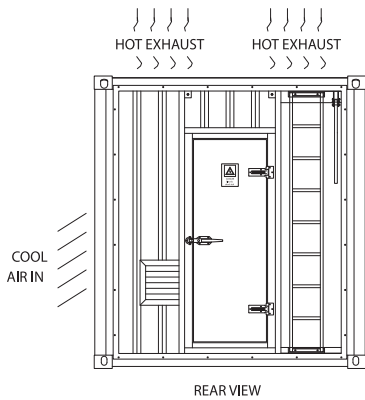
Loadbank Footprint Rendering



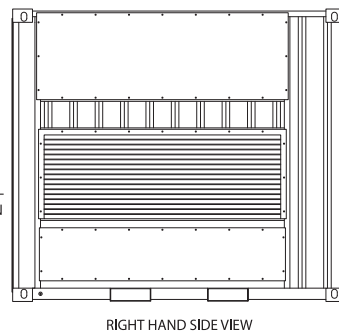
PLAN VIEW / FOOTPRINT
SHOWING DOORS OPENING



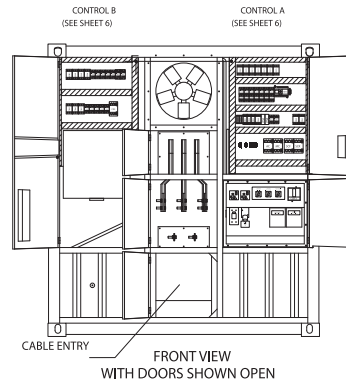
NOTEBOOK PC
FITTED WITH
LOADBANK CONTROL SOFTWARE



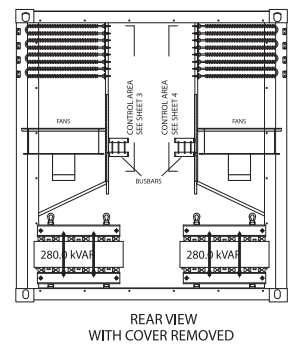
REAR VIEW



RIGHT HAND SIDE VIEW



FRONT VIEW
WITH DOORS SHOWN OPEN



REAR VIEW
WITH COVER REMOVED

Loadbank Controller Specifications

KCS

Factory mounted manual control system, thumbwheel switches for adding or removing kW and PF, analog ammeter for each phase, and analog voltmeter with a selector switch for each phase.

LC80

Hand-held controller to run manual load tests, automatic load tests, and control the loadbank from up to 300 meters away. Rental units may have HHT-100/LC60 controller.

Eclipse PC System

Transfers all test results to a PC; produces graphs, charts, and reports; compatible with all Microsoft® operating systems.

ORION PC System

Transfers all test results to a PC; produces graphs, charts, and reports; compatible with all Microsoft® operating systems. Rental units may have ECLIPSE PC System.

Materials and specifications are subject to change without notice.